

[Home](#) → [Spec Search](#) → [lift](#) → [Boom Lift](#) → [JLG](#) → 860SJ

JLG 860SJ BOOM LIFT

[VIEW ARTICLES ON THIS ITEM](#)

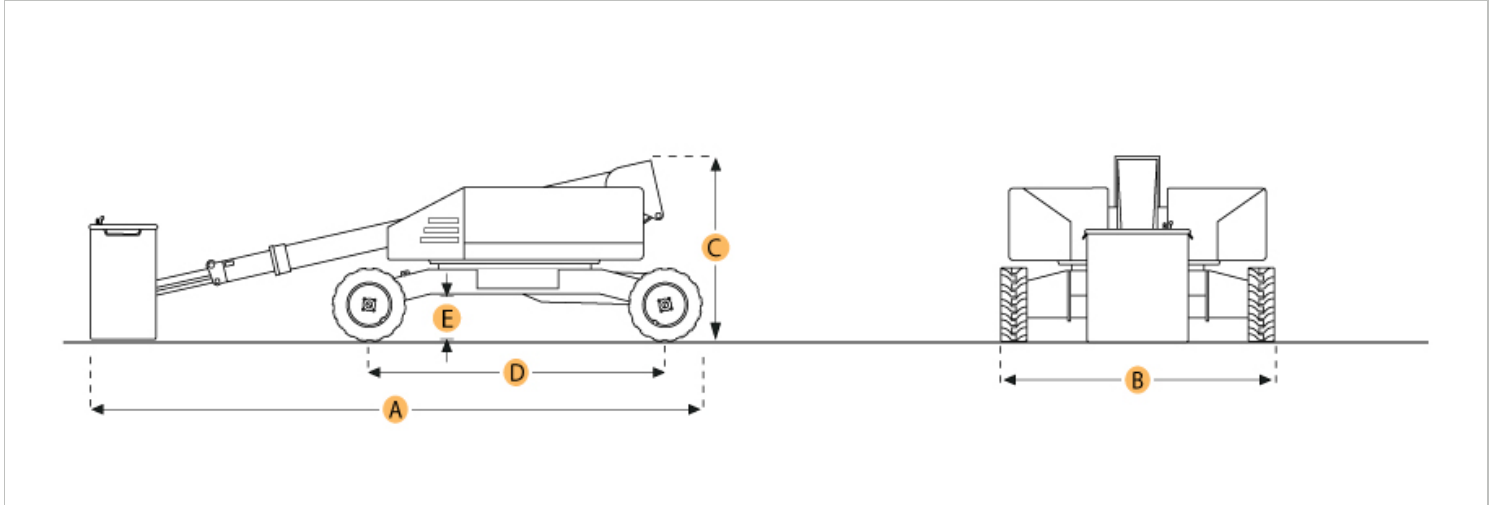
 Print specification

Looking to purchase this item?

[Find a JLG 860SJ Boom Lift](#) being sold at Ritchie Bros. auctions.

Need to sell equipment?

[Complete this form](#) and a Ritchie Bros. representative will contact you.



Selected Dimensions

Dimensions

A. OVERALL LENGTH	40 ft in	12190 mm
B. OVERALL WIDTH	8.2 ft in	2490 mm
C. OVERALL HEIGHT - MAST LOWERED	10 ft in	3050 mm
D. WHEELBASE	10 ft in	3050 mm
E. GROUND CLEARANCE	11.8 in	300 mm

Platform

F. MAX PLATFORM HEIGHT	86 ft in	26210 mm
G. MAX HORIZONTAL REACH	75 ft in	22850 mm

Specification

Engine

MAKE	Deutz	
MODEL	F4M1011	
GROSS POWER	65.7 hp	49 kw
FUEL TYPE	Diesel	

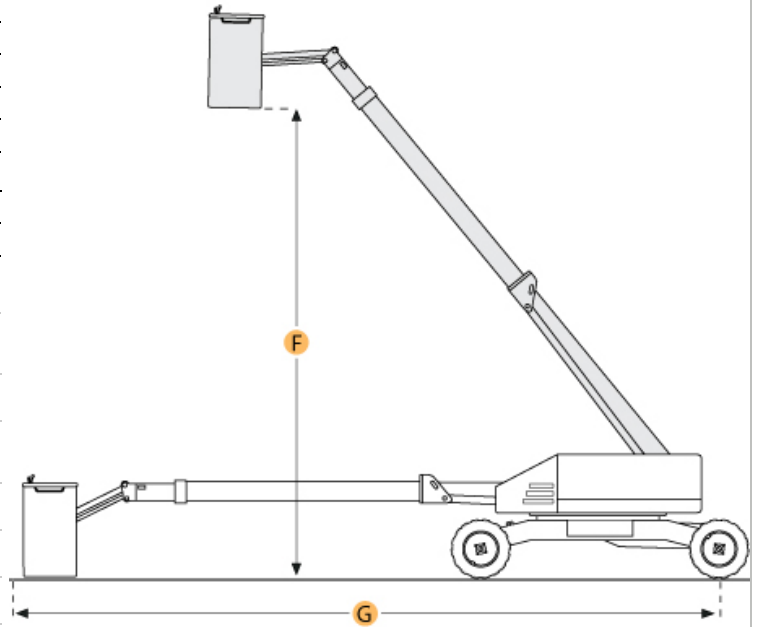
Operational

OPERATING WEIGHT	36400.5 lb	16511 kg
FUEL CAPACITY	31 gal	117.3 L
HYDRAULIC SYSTEM FLUID CAPACITY	48 gal	181.7 L
MAX SPEED	3.5 mph	5.6 km/h
TIRE SIZE	15.6	
TIRE FILL/TYPE	Pneumatic	

Platform

MAX PLATFORM HEIGHT	86 ft in	26210 mm
MAX HORIZONTAL REACH	75 ft in	22850 mm
MAX PLATFORM WEIGHT CAPACITY	749.6 lb	340 kg
PLATFORM LENGTH	96.1 in	2440 mm
PLATFORM WIDTH	35.8 in	910 mm
PLATFORM ROTATION	180 degrees	

Dimensions



OVERALL LENGTH	40 ft in	12190 mm
OVERALL WIDTH	8.2 ft in	2490 mm
OVERALL HEIGHT - MAST LOWERED	10 ft in	3050 mm
WHEELBASE	10 ft in	3050 mm
TURNING RADIUS	22.5 ft in	6860 mm
GROUND CLEARANCE	11.8 in	300 mm

© 2007-2016 RitchieSpecs Equipment Specifications Ritchie Bros. Auctioneers © | [Terms of Use](#) | [Privacy Statement](#)
OEM specifications are provided for base units. Actual equipment might vary with options.